

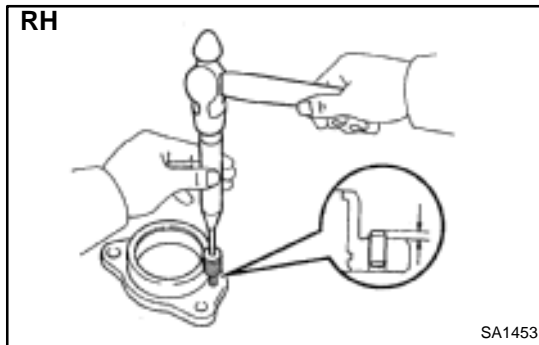
REASSEMBLY

1. REASSEMBLE INBOARD JOINT SHAFT

(a) LH:

Install the dust cover.

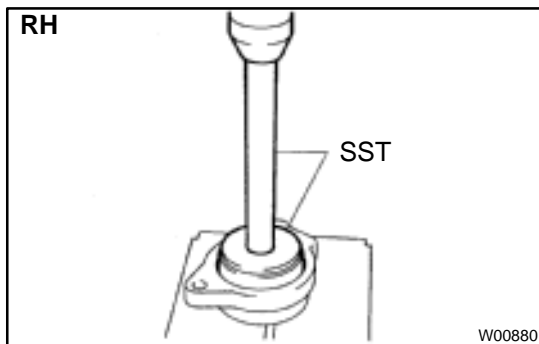
Using a press, install a new dust cover.



(b) RH:

Install the center bearing.

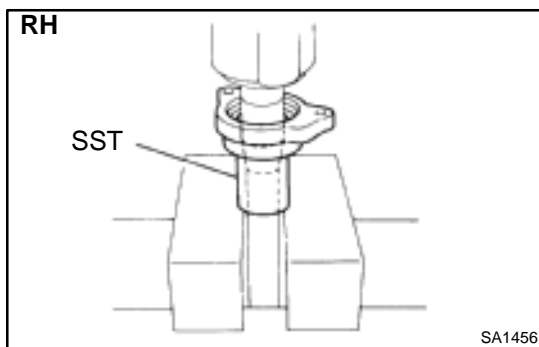
(1) Using a pin punch and a hammer, install the straight pin into the center bearing case.



(2) Using SST and a press, install a new center bearing into the bearing case.

SST 09950-60010 (09951-00650),
09950-70010 (09951-07150)

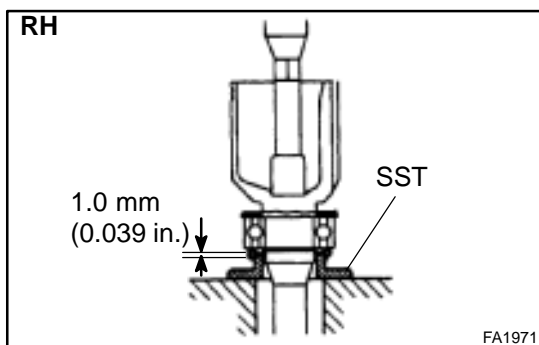
(3) Using a screwdriver, install a new outside snap ring.



(4) Using SST and a press, install the center bearing with the bearing case assembly to the inboard joint shaft.

SST 09710-30021 (09710-03141)

(5) Using a snap ring expander, install a new inside snap ring.

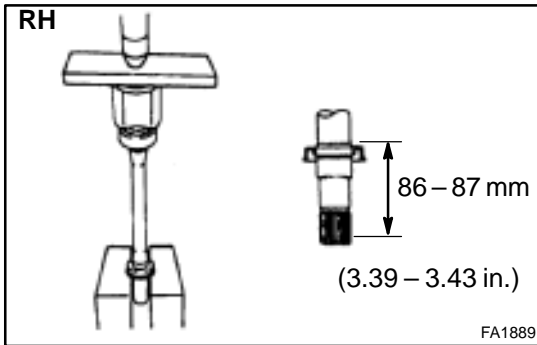


(6) Using SST, an extension bar and a press, install a new dust cover.

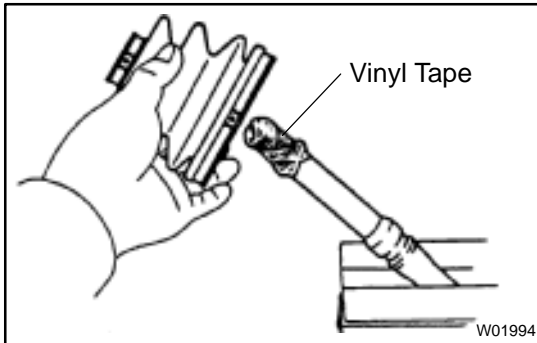
SST 09506-35010

HINT:

The clearance between the dust cover and bearing should be kept in the ranges as shown in the illustration.



- (c) RH:
Install the transaxle side dust cover.
Using a steel plate and press, install a new transaxle side dust cover until the distance from the tip of the inboard joint shaft to the dust cover reaches the specified value, as shown in the illustration.



2. REASSEMBLE DRIVE SHAFT

- (a) Temporarily install new outboard and inboard joint boots and new clamps.

HINT:

Before installing the boots, wrap the spline of the outboard joint shaft with vinyl tape to prevent them from being damaged.

- (1) Place 2 new clamps on a new outboard joint boot and install them to the outboard joint shaft.
 - (2) Place 2 new clamps on a new inboard joint boot and install them to the outboard joint shaft.
- (b) Install the tripod.
- (1) Place the beveled side of the tripod axial spline toward the outboard joint.
 - (2) Align the matchmarks placed before removal.
 - (3) Using a brass bar and hammer, tap in the tripod to the outboard joint shaft.

NOTICE:

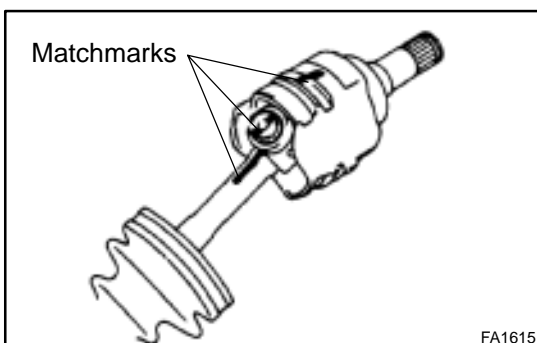
Do not tap the roller.

- (4) Using a snap ring expander, install a new snap ring.
- (c) Install the boot to outboard joint.
Before assembling the boot, pack the outboard joint and boot with grease in the boot kit.

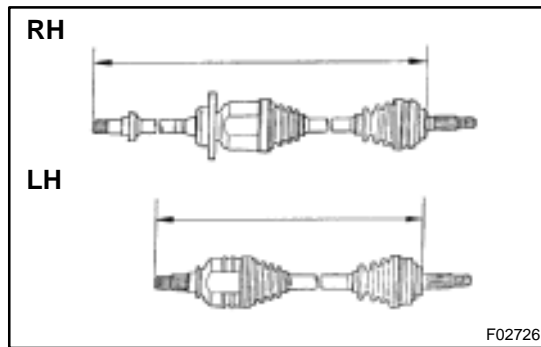
**Grease capacity: (Color = Yellow ocher)
140 - 155 g (4.9 - 5.5 oz.)**

- (d) Install the inboard joint shaft to outboard joint shaft.
- (1) Pack the inboard joint and boot with grease in the boot kit.

**Grease capacity: (Color = Yellow ocher)
180 - 190 g (6.3 - 6.7 oz.)**



- (2) Align the matchmarks placed before removal, and install the inboard joint shaft to the outboard joint shaft.
- (3) Temporarily install the boot to the inboard joint.



- (e) Assemble the boot clamps to both boots.
- (1) Make sure that the boots are on the shaft grooves.
 - (2) Make sure that the boots are not stretched or contracted when the drive shaft is at standard length.

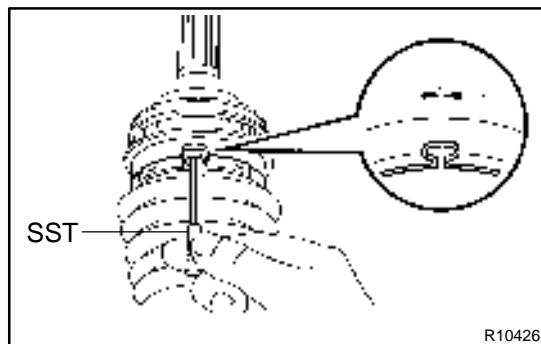
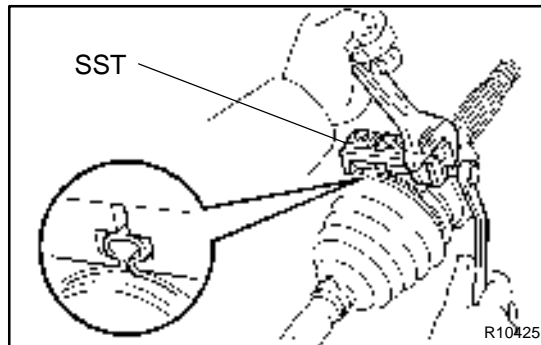
Drive shaft standard length:

RH	814.1 ± 5.0 mm (32.051 ± 0.197 in.)
LH	570.4 ± 5.0 mm (22.457 ± 0.197 in.)

- (3) Bend the band and lock the inboard joint boot clamps with a screwdriver.
- (4) Secure the 2 outboard joint boot clamps onto the boot.
- (5) Place SST onto the outboard joint large boot clamp.
SST 09521-24010
- (6) Tighten the SST so that the large clamp is pinched.

NOTICE:

Do not overtighten the SST.



- (7) Using SST, adjust the clearance of the large clamp.
SST 09240-00020
- Clearance: 0.8 mm (0.031 in.) or less**
- (8) Employ the same manner to the outboard joint small boot clamp.